



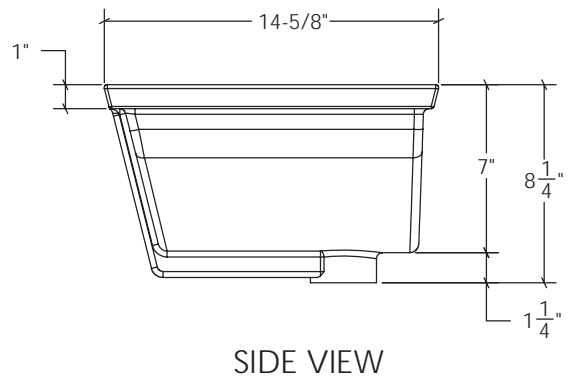
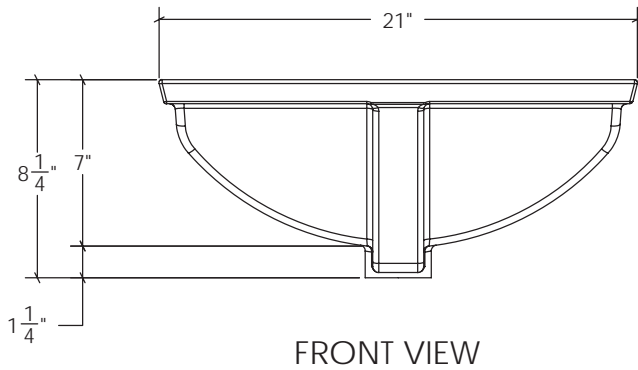
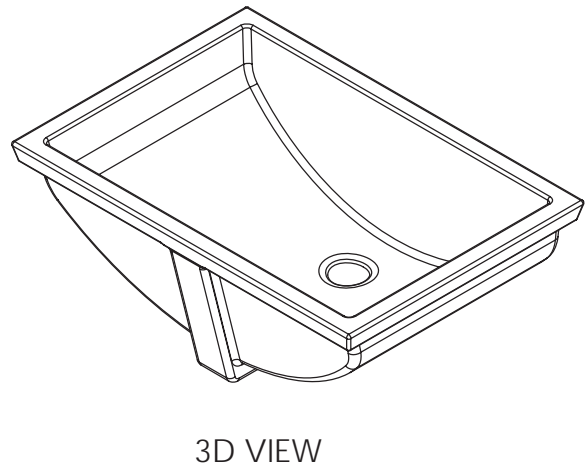
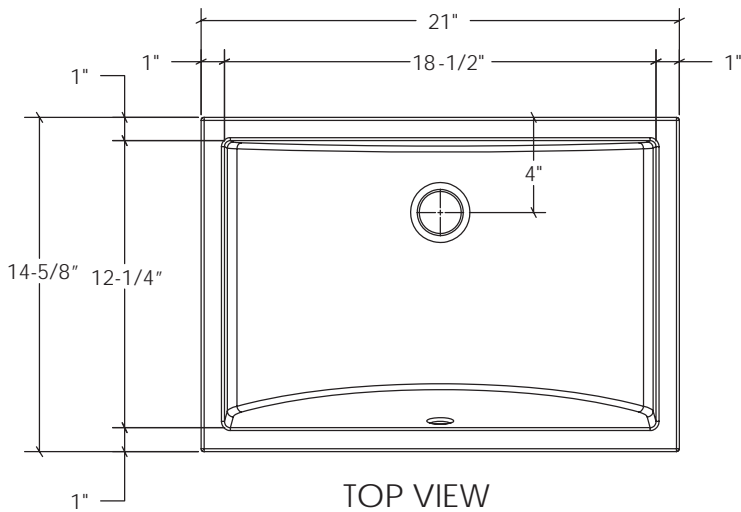
PS-106

FEATURES:

- * Bowl Size: 18-1/2" x 12-1/4"
- * Material: Vitreous China
- * For Under Counter Use
- * Recommended Drain: DS-001
- * For Faucets With Overflow
- * For Use With Standard Pop Up Drain
- * Warranty: One Year Limited Warranty
- * Does Not Include Mounting Clips

CODES / STANDARDS APPLICABLE

- * CSA B45
- * ASME A112.19.2



JOB INFORMATION:

Job Name _____
 Date Specified _____
 Contractor _____

* Specifications and drawings provided on this sheet are for illustration only. Cantrio Koncepts will not be held responsible for cutouts made without the actual product or product template.